



NJ-IOT-530

Product use manual of
Smart cloud box--smart lamp pole

Xiamen Nengjia New Energy Technology Co., LTD

www.xmnengjia.com

Updated time: 20210816

Content

content.....	2
I. Product Brief introduction.....	3
1. Product brief description.....	5
2. Product framework.....	5
3. Product functions.....	5
4. Product parameters.....	7
II. the product appearance and interface.....	10
1. Product appearance.....	12
2. Product interface.....	12
3. Product wiring.....	13
III. Product distribution.....	14
1. Product accessories.....	14
IV. Precautions and technical support.....	15
1. Notes.....	15
2. Technical support.....	15

I. Product brief introduction

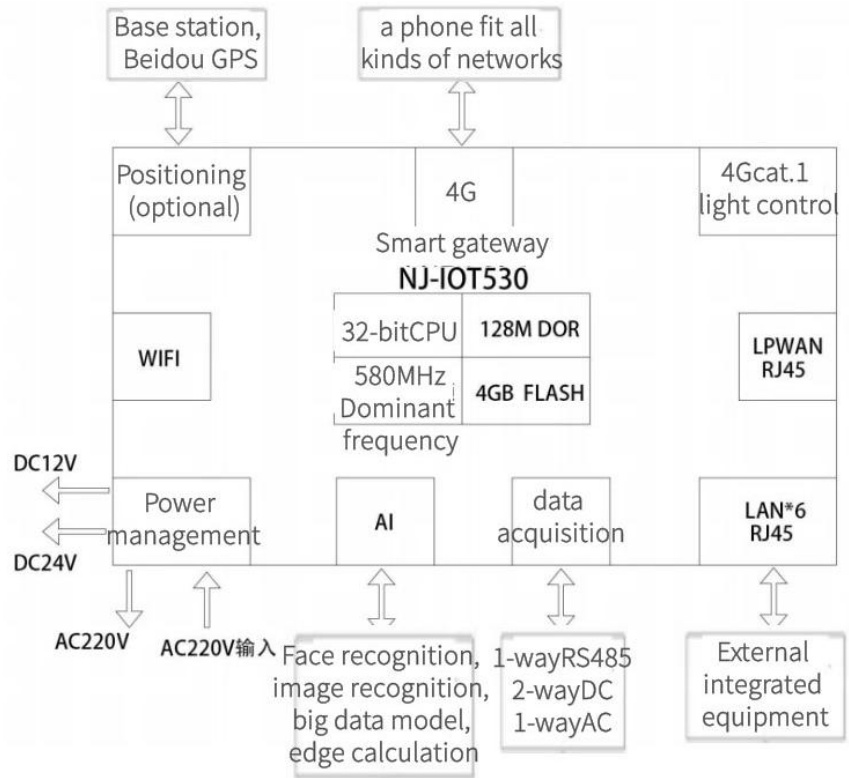
1. Product brief description

NJ-IOT-530 is the third generation of intelligent street lamp network independently developed and produced by new energy technology it is specially designed to meet the needs of intelligent end users for remote intelligent control of devices a new type of remote central control equipment used outdoors has been upgraded on the basis of the previous generation of smart gateway improved, the gateway is built-in 4Gcat.1 communication single-light controller, signal stability, online rate of 99.9%, set high degree, reserved multi-functional interface, can access more sensors and equipment, can use 2G / 3G / 4G network, Ethernet network and WIFI network provide users with long-distance big data transmission function, connect to the cloud, control of power supply output, strong edge computing power, reserved interface, for the secondary development, more powerful functions for stable support.

The product integrates a 2.4 GHz IEEE 802.11b/g/n WI-FI transceiver and comes with Mediatek MT7621AT's dual-core 880MHz CPU, 4GB EMMC flash memory, 4 high-speed Ethernet ports layer

(Ethernet PHY), HNAT memory accelerator, and multiple common inputs and input outputs (I/O), Linux (Ubuntu14.04) is the software support platform, with 1 * RS485 interface and 8 ethers Network LAN, 1 Ethernet WAN and 2 WIFI interfaces, 2 gigabit fiber ports, 1 AC220V Output, 2 DC12V / 3A output, 1 DIM output, can connect multiple Ethernet devices, serial port equipment, WIFI equipment, etc., to realize transparent data transmission and routing functions. The NJ-IOT-530 is designed to fully consider the versatility and stability, based on the architecture of the Internet of Things technology it can meet the data collection and intelligent control of intelligent terminal devices, and have a certain degree of expansion exhibition, convenient in the existing hardware to achieve new equipment under the access.

2. Product framework



3. Product function

- Built-in 4Gcat.1 single light controller, equipment online rate up to 99.99%, stability, great reliability raise.
- Support WIFI, 4G, gigabit network port, gigabit optical fiber port access in various ways to access Ethernet.
- Equipped with 2-way optical fiber interface, with two-layer networking capability, suitable for ring, interactive chain networking

scenarios, increase the number of network ports by increasing the exchange communication components in the case of insufficient network ports.

- Support three netcom, compatible with telecom, mobile, Unicom 2G \ 3G \ 4G network.
- Support Micro sim card, using anti-line drop mechanism.
- Wired and wireless backup to each other, to ensure the normal and stable transmission of data, intelligent switching network backup, network disconnection
- The data is stored offline, wait for the network to recover after the data can continue to pass.
- Powerful WIFI function, support AP, STA, Repeater multiple modes free switching.
- Protocols are rich, easy to connect, transparent data transmission, MODBUS RTU to TCP / IP, MQTT.
- Support active polling of different address segment MODBUS devices to make operation easier.
- Using the industrial class high-speed 4G wireless communication module, configured with 32-bit high-sex processor, front-end collected information
- More timeliness and accuracy.

- Industrial design, aluminum alloy shell, facing a variety of outdoor environment, industrial environment and strong interference, can be stable 7X24 hours without work.

4. Technical parameter

specifications	parameter	remarks
model	NJ-iot530	Gateway (Smart Light)
Single lamp controller	4Gcat.1	Built-in single-light controller
sensor	Temperature sensor, humidity sensor	built-in
Network system	No.1 WAN port	10 / 100 / 1000 Adaptive
	4G	4G / 3G / 2G full netcom
	No.2 fiber port	Support ring network
power input	scope	110~265V/30A

classification of waterproof	IP65	IP65
size	Length* width *height (mm)	295mm*118mm*80mm
temperature	Storage temperature -40°C ~85°C Operating temperature -25°C ~70°C	Storage temperature -40°C ~85°C Operating temperature -25°C ~70°C
4G	service frequency	FDD LTE: B1/B3 TDD LTE: B38/B39/B40/B41 TDSCDMA: B34/B39 CDMA2000 1x/EVDO: BC0 GSM: 900/1800MHz
	transmission speed	LTE-FDD: Max 100Mbps(DL) Max 50Mbps(UL) LTE-TDD: Max 61Mbps(DL) Max 18Mbps(UL) SCDMA-TD: Max 4.2Mbps(DL) Max 2.2Mbps(UL) CDMA: Max 5.4Mbps(DL) Max 14.7Mbps(UL) GPRS: Max

		85.6Kbps(DL) Max 85.6Kbps(UL)
	transmitting power	FDD LTE: 23dbm±2db TDD LTE: 23dbm±2db TDSCDMA : 24dbm +1/-3db GSM 900Mhz: 33dbm±2dbm GSM 1800Mhz: 30dbm±2dbm
	receiving sensitivity	FDD B1: -97dBm(20M) FDD B3: -96dBm(20M) TDD B38: -94dBm(20M) TDD B39: -94dBm(20M) TDD B40: -94dBm(20M) TDD B41: -93.5dBm(20M) TDSCDMA B34: -110dbm TDSCDMA B39: -110dbm CDMA BC0: -108dbm GSM 900: -110dBm GSM 1800: -109dBm
WIFI	frequency range	support IEEE802.11b/g/n
	tape width	Highest 300Mbps
	power	20dbm

系统	processor CPU	Marvell 88F3720 ARM A53 double core 1Ghz
	internal storage	1GB
	Flash Memory	4GB EMMC

II. Product appearance and interface

1. Product appearance





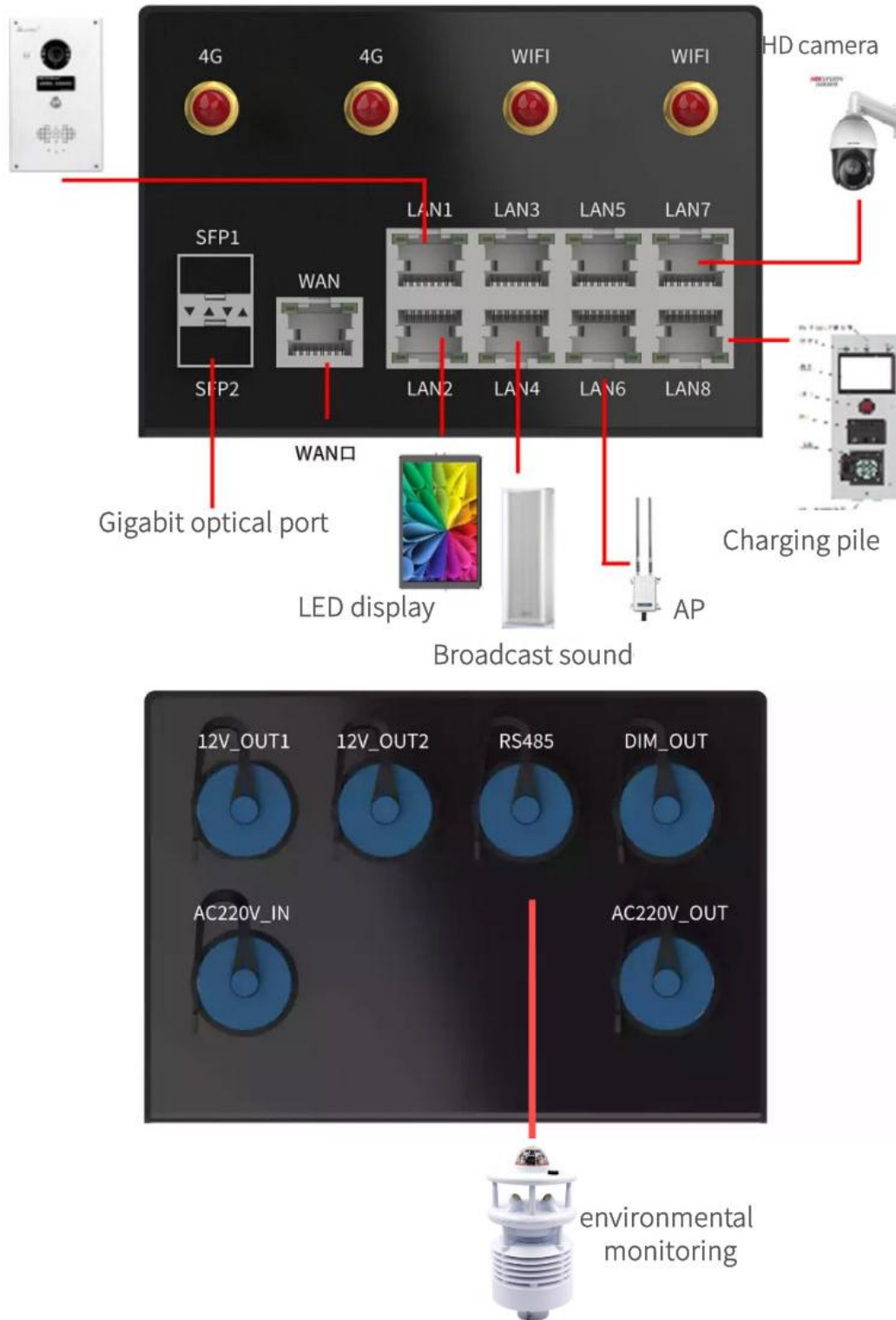
Note: The product picture in the manual is only number, type and location, please refer to the actual model.

2. Product interface

interface	explain
1-Way of AC220V input	AC220V power supply (110~265V)
The 2-way DC12V output is available	Provide 12V output to the corresponding equipment; remote control switch and current detection
The 1-way AC220V output is available	Provide 220V output to the corresponding equipment; remote control switch and current detection
1 RJ45WAN	Outnet entrance, 10 / 100 / 1000Mbps adaptive
8 Road to RJ45LAN mouth	Communication network, 10 / 100 / 1000Mbps adaptive
4-Way antenna interface	4G Full-netcom SMA sucker antenna, WIFI antenna, GPS antenna
2-road gigabit optical fiber ports	1 Into 1 out, support single-mode, multi-mode optical fiber, support ring type, chain type and other network topology
The 1-way RS485 interface	Access to a device with a 485 interface
1-Route DIM interface	The single-light controller controls the light brightness

3. Product wiring

One button alarm



III. Product group matching

1. Product accessories

Accessories name	quantity
NJ-IOT-530 Smart Cloud Box	1
4G suction dish antenna	2
WIFI Antenna (IPEX)	2
Two core line	3
Three core line	2
four-core wire	1

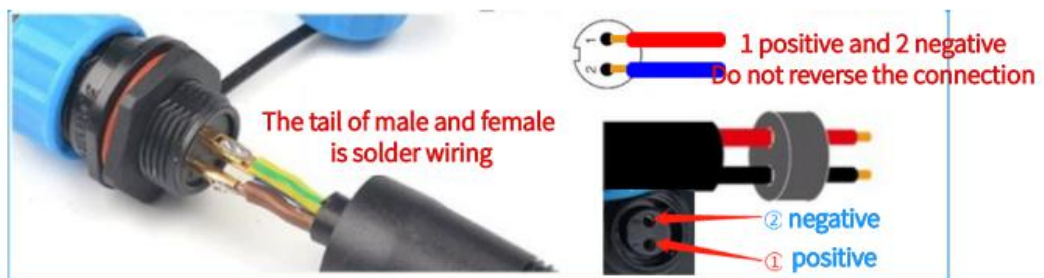


IV. Notes and technical support

1. Notes

Please read this product manual before use. If you have any questions, please consult our company engineers for technical support. When using the equipment, the principle must be strong magnetic field and keep the insulation state with other objects. When installing and replacing the SIM card, it must be off before operation.

Smart cloud box wiring attention



2. Technical support